



**MAGNETI  
MARELLI**

PARTS & SERVICES

**STARTER MOTORS  
AND ALTERNATORS**

The logo for Magneti Marelli, featuring the company name in a bold, blue, sans-serif font with a slight arch, set against a yellow background.

PARTS & SERVICES

## Magneti Marelli Parts & Services

is a leading company in researching, selecting and distributing original equipment parts for the leading car manufacturers, as well as matching quality spare parts.

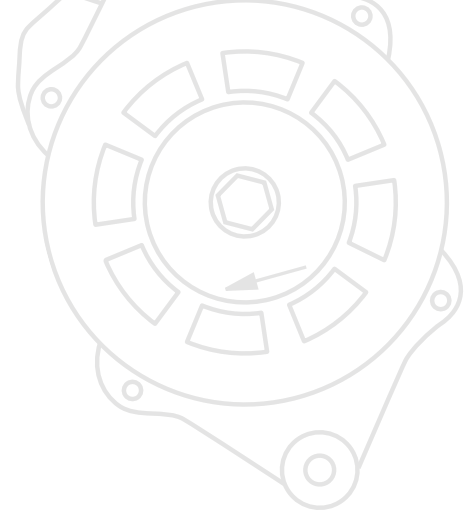
**Magneti Marelli Parts & Services** is the ideal partner for anyone looking for the highest quality and reliability in rotating machines. The range is characterised by high quality standards achieved through the application of advanced production technology and precision assembly. Each product undergoes strict controls that guarantee excellent performance and durability.

All rotating machines in the catalogue are designed with the utmost care and attention to every detail, from the mechanical components to electric and magnetic circuits. This allows maximum resistance to thermal stress and wear, low energy consumption and minimal noise and vibration during operation.

The range has recently been renewed to satisfy the most important market requests, including Start&Stop systems for petrol and diesel engines. It is designed to fit an extensive range of uses, from cars to commercial vehicles, and from industrial vehicles to agricultural and earth-moving machinery.

**Magneti Marelli Parts & Services** is committed to constantly improving the performance, safety and sustainability of its products. As a result, it guarantees extensive coverage of the European car park in line with the philosophy that drives the development of all its ranges.

Particular attention has also been focused on packaging; all starter motors and alternators are distributed in the iconic **yellow and blue boxes** that guarantee both protection for the components and respect for the environment, thanks to a reduction in the use of plastic.





# STARTER MOTORS

Starting assured,  
restarting guaranteed!

A starter motor is responsible for providing the necessary torque and suitable rotation speed to start a car's combustion engine thanks to a pinion engaged by an electromagnet.

It needs to be sturdy, resistant to vibration and corrosion, offer suitable electrical conductivity, reliability and low power consumption.

It plays a vitally important role in a car's operation.

**Magneti Marelli Parts & Services** offers a wide range of starter motors capable of withstanding elevated workloads and resisting mechanical and thermal stress through the use of high-quality materials and precision designing down to the tiniest detail. This results in robust, precise and well-aligned gears, with a consequential reduction in wear and an increase in durability.

Starter motors now play an even more important role with the evermore common application of Start&Stop systems that lead to an increased number of restarts.

# ALTERNATORS

The heart of your car!

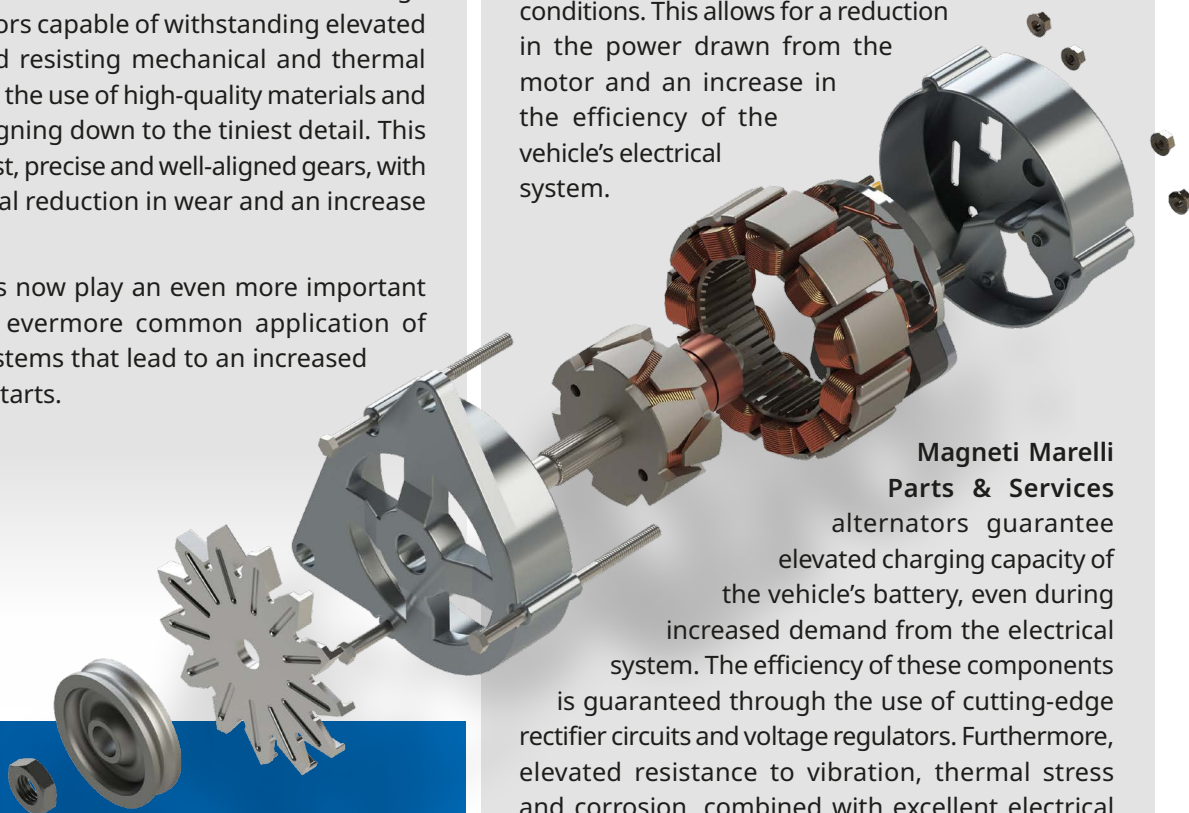
The alternator is a compact component that converts the mechanical energy provided by the vehicle motor into usable electricity. Essential for responding to the energy requirements of the vehicle, the alternator adjusts the quantity of electricity produced to satisfy the demands of the vehicle in different driving conditions. This allows for a reduction in the power drawn from the motor and an increase in the efficiency of the vehicle's electrical system.

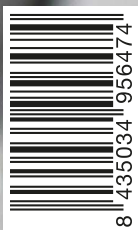
**Magneti Marelli Parts & Services** alternators guarantee elevated charging capacity of the vehicle's battery, even during increased demand from the electrical system. The efficiency of these components is guaranteed through the use of cutting-edge rectifier circuits and voltage regulators. Furthermore, elevated resistance to vibration, thermal stress and corrosion, combined with excellent electrical conductivity, guarantees the utmost reliability and durability.

**Magneti Marelli Parts & Services** offers an extremely wide range of alternators, with models suitable for vehicles in a number of categories, from the car segment to commercial and industrial vehicles.



THE APPLICATIONS AND CROSS REFERENCES  
SHOWN IN THE LEAFLET ARE AVAILABLE  
ON OUR WEBCAT PLATFORM





099990332281 - © Magneti Marelli Parts & Services 2023 -



[magnetimarelli-parts-and-services.com](https://magnetimarelli-parts-and-services.com)